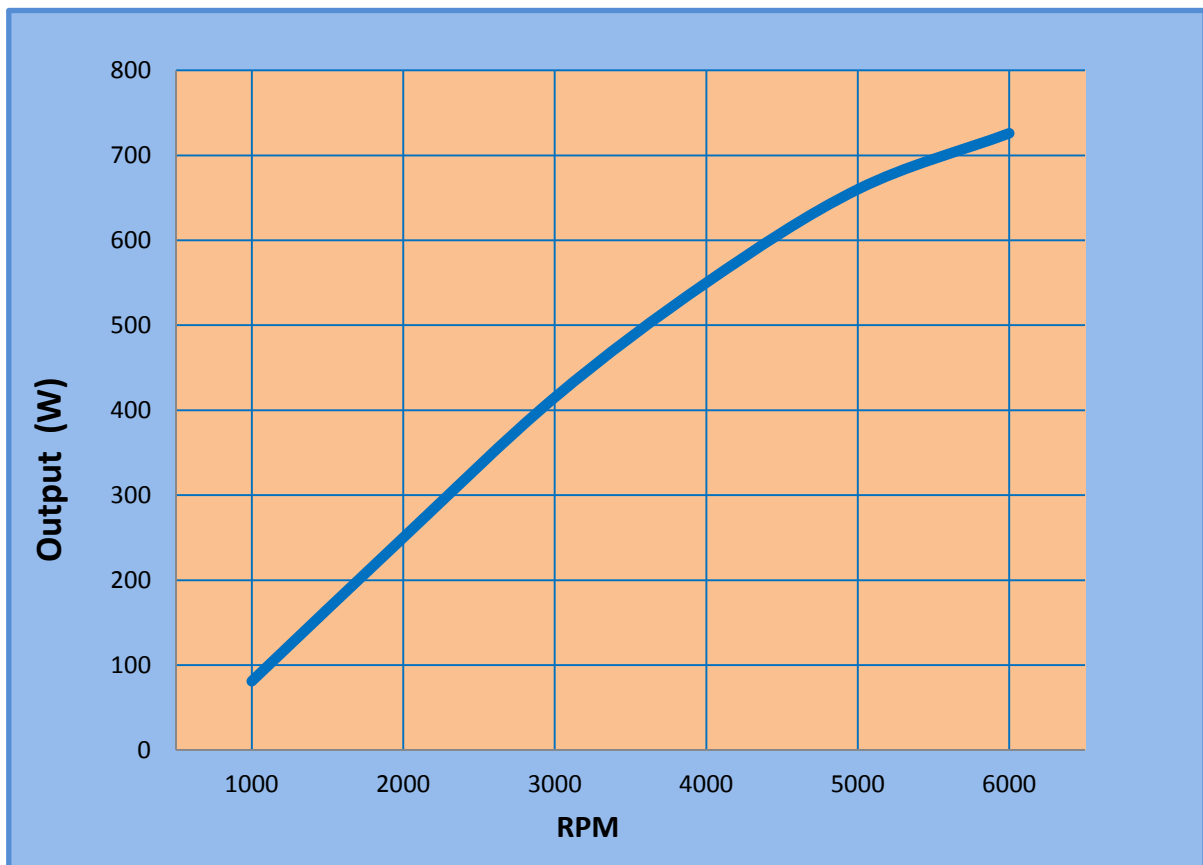
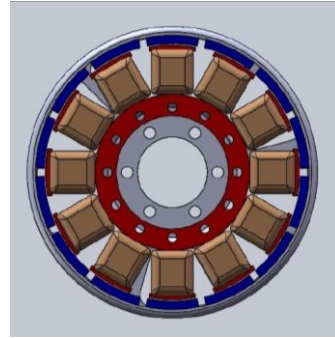
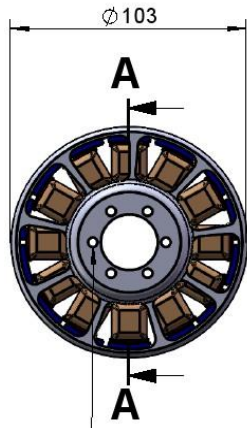


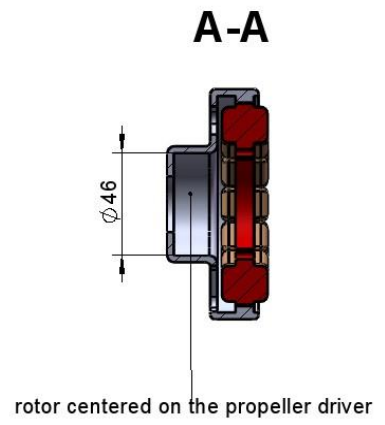
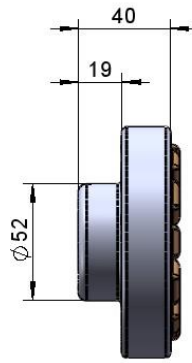
ROTOMOTOR alternator

- **3 phase alternator specially for 4 stroke engines**
- **NdFeB magnets to 150°C**
- **Diameter – 103 mm**
- **Thickness – 24mm**
- **Weight – 500g**
- **350W continuous from 2500 RPM**





propeller assembly for ROTO 85 FS -NG



rotor centered on the propeller driver

